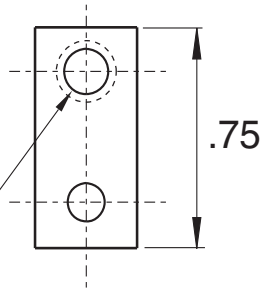
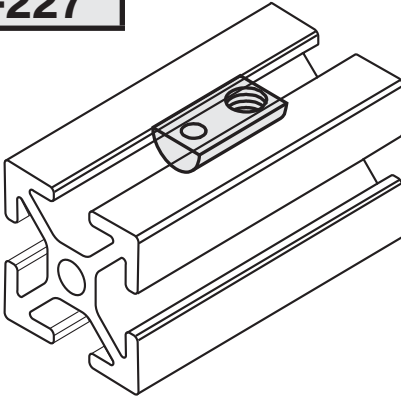


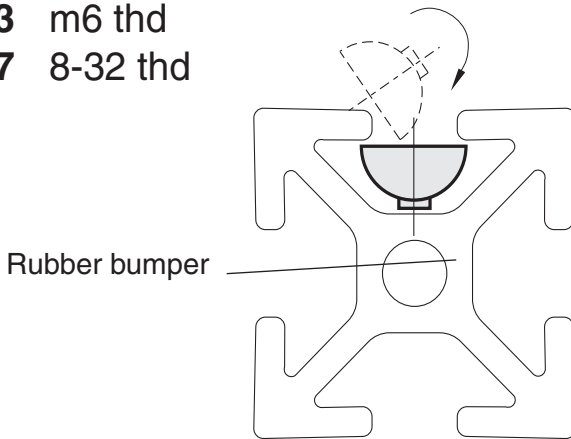
Pivot T-Nut with Rubber Bumper



11-201
11-202
11-203
11-227



- Part No.
11-201 1/4-20 thd
11-202 10-32 thd
11-203 m6 thd
11-227 8-32 thd



1/4" SLOTS

Material - Steel
Finish - Zinc Plated