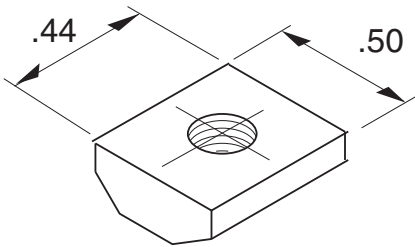


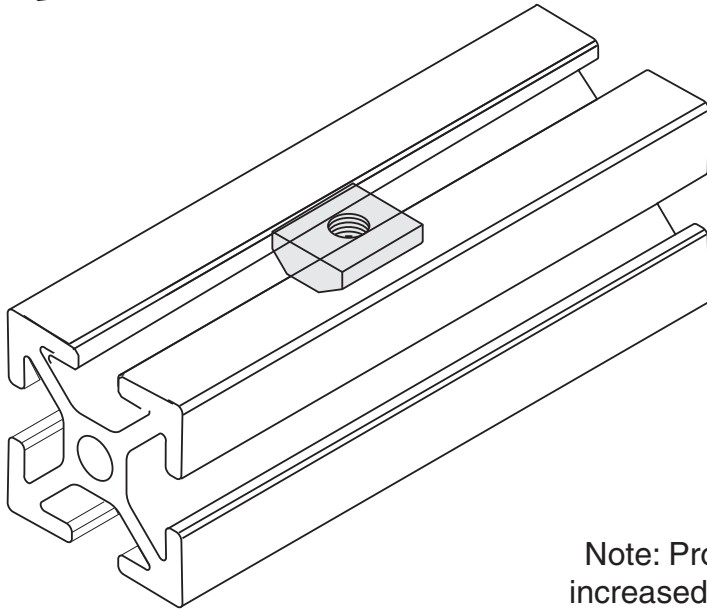
Heavy Duty T-Nut



11-205
11-206
11-207
11-208
11-209



- 11-205** 1/4-20 thd
- 11-206** 10-32 thd
- 11-207** m6 thd
- 11-208** 8-32 thd
- 11-209** 6-32 thd



Note: Provides increased thread engagement

Material - Steel
Finish - Zinc Plated

1/4" SLOTS