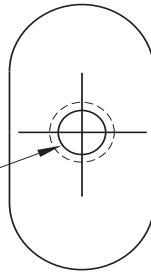
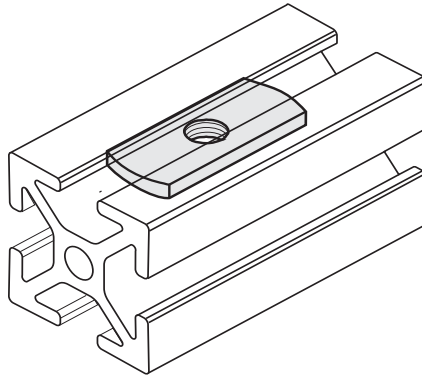


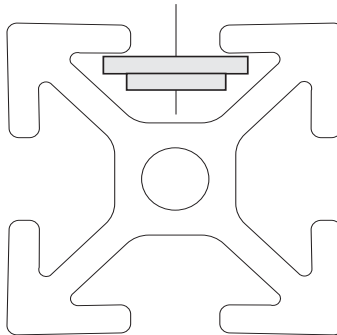
Economy T-Nut (Centered Thread)



11-215
11-216
11-217
11-219
11-215SS



- Part No.
11-215 1/4-20 thd
11-216 10-32 thd
11-217 8-32 thd
11-219 6-32 thd
11-215SS 1/4-20 thd
 Stainless
 Steel T-nut



1/4" SLOTS

Material - Steel
 Finish - Zinc Plated