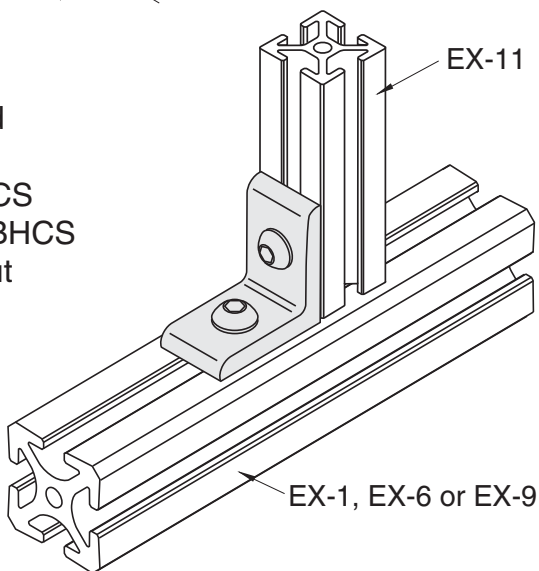


Recommended  
Hardware

- (1) 11-231 BHCS
- (1) EF-12-.63 BHCS
- (1) 11-210 T-nut
- (1) EF-2 T-nut



1/4" SLOTS

Material - Aluminum  
Finish - Clear Anodize