

Plate Connector

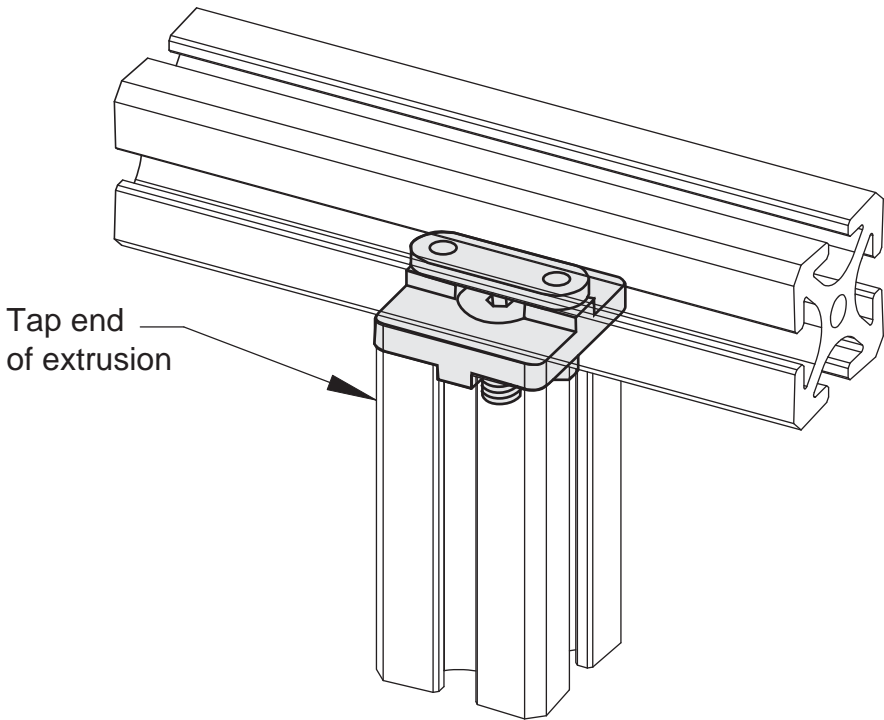
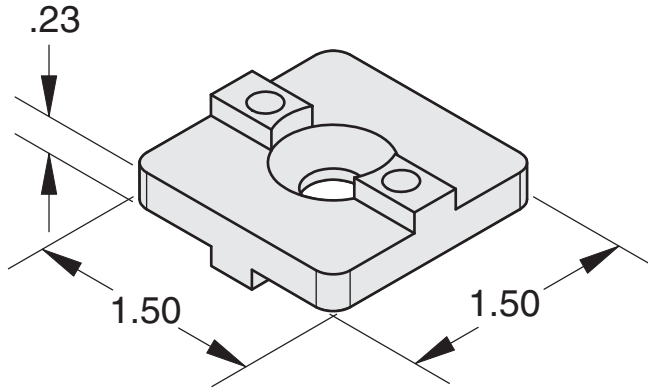


EF-100
EF-100M

hardware included

metric hardware included

5/16" SLOTS



Material - Cast Zinc
Finish - Zinc Plated