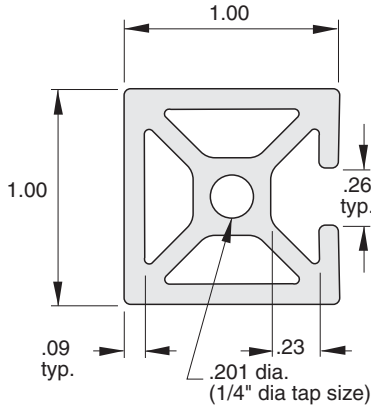




## EX-70

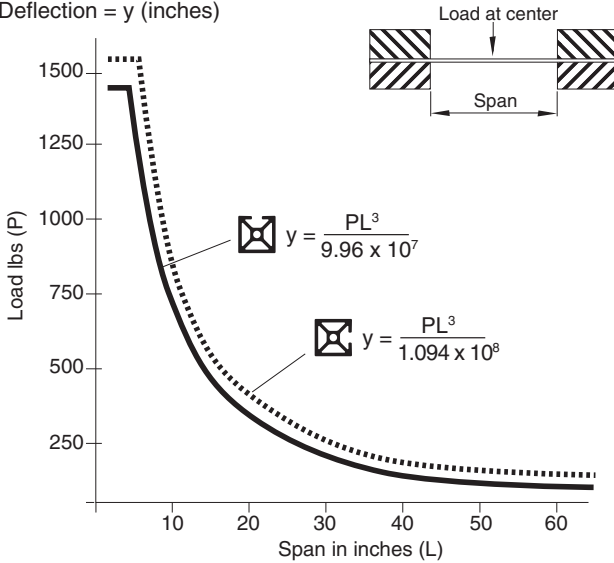


- Finish = Clear anodized
- Material = 6105-T5 Aluminum
- Est. Area = .451 Sq. In.
- Weight/ft = .576 lbs.
- 96", 192.63" Lengths standard.

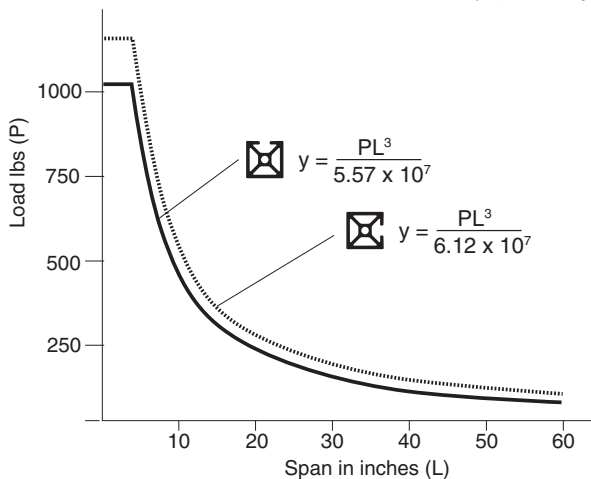
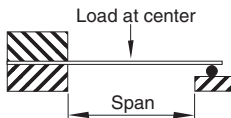
### Section Properties:

		
Moment of Intertia in <sup>4</sup>	.057	.052
Section modulus in <sup>3</sup>	.114	.099

Load condition:  
Fixed at both ends, load at center  
Deflection = y (inches)



Load condition:  
Fixed at one end, sliding at one end,  
load at center  
Deflection = Y (inches)



Load condition:  
Fixed at one end,  
load at unsupported end  
Deflection = Y (inches)

